

Outside Broadcast Applications



Products

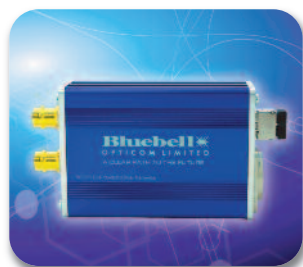
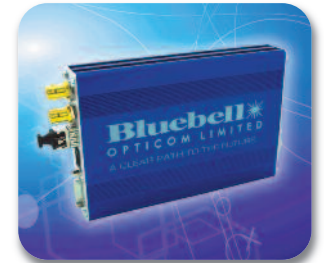
PART NUMBER	DESCRIPTION	3G	HD	SD	Video	AES	AA	Data	UTP	Tally/ GPI	Rack	Stand Alone
Universal Chassis and Power Supplies												
BC-100	19" 3RU Chassis for up to 15 BC Series Cards										x	
BC-160	19" 1RU Chassis for up to 6 BC Series Cards.										x	
BC-160P	19" 1RU Chassis for up to 6 Passive BC Series Cards.										x	
BC110	Single Slot Chassis with Universal Mains Power Supply											x
BC120	Triple Slot Chassis with Universal Mains Power Supply											x
High Density 3G 1RU Transport System												
WB170-1RU	19" 1RU Chassis for up to 28 3G-SDI links										x	
WB172T/S/13/13	Dual Channel 3G/HD/SD-SDI High Density Fibre Optic Links	< 2 >									x	
Modular BC Series Cards												
Time Division Multiplexing HD-SDI, Video, Audio and Data Multiplexing												
TDM-300T	TDM-300R		1 >	3 >							x	x
TDM-300TA	TDM-300RA		1 >	3 >			8 >	1 >			x	x
TDM-710CE			1 >		< 1			< 2 >		< 1 >	x	x
TDM-700CE			1 >		< 1			< 2 >	< 1 >	< 1 >	x	x
TDM-710C	TDM-710B		1 >		< 1			< 2 >		< 1 >	x	x
TDM-700C	TDM-700B		1 >		< 1			< 2 >	< 1 >	< 1 >	x	x
3G/HD/SD-SDI Transmitters and Receivers												
BC360T	BC360R	> 1									x	x
BC362T	BC362R	> 2									x	x
BC360	BC360IB	< 1 >									x	x
BC360IBT	BC360IBR	> 1									x	x
BC362IBT	BC362IBR	> 2									x	x
High power versions available - Contact the Sales Office for details												
3G/HD/SD-SDI Transmitters and Receivers with Audio Embedding												
BC450T	BC450R	> 1									x	x
BC460T	BC460R	> 1				> 4	> 8				x	x
SDI/ASI, HD/SDI Transmitters and Receivers												
BC300T	BC300R			> 2							x	x
Distribution Amplifiers and Converters												
BC350											x	x
BC12-ADC											x	x
BC12-DAC											x	x
BC500 Composite Video, Audio and data												
BC500T	BC500R				> 1		> 2				x	x
BC500T/S/A/232	BC500R/S/A/232				> 1		> 1	> 1			x	x
BC500T/S/232/422	BC500R/S/232/422				> 1			> 2			x	x
BC551 HD-SDI, Audio or data												
BC551AT/S	BC551AR/S	> 1					< 1				x	x
BC551DT/S	BC551DR/S	> 1						< 1			x	x
Audio & Data Converters												
BC030T/S	BC030R/S						> 2				x	x
BC030T/S/D	BC030R/S/D							> 2			x	x
BC040T/S/D	BC040R/S/D							> 2			x	x
BC050T/S/D	BC050R/S/D							> 2			x	x
Audio Converters												
BC620T	BC620R						> 8				x	x
BC630T	BC630R					> 4					x	x
Data												
BC720										< 4 >	< 4 >	x
BC730T	BC730R										x	x
BC800										< 1 >		x
BC850										< 1 >		x
Audio Transceivers												
BC700							< 2 >				x	x
BC710							< 2 >				x	x
RF/L Band Converters												
BC920T	BC920R										x	x
Wave Division Multiplexing Products												
BC2	BC2/M										x	x
Coarse Wave Division Multiplexing Products												
BC-4											x	x
BC-8											x	x
Splitters and Switches												
BC2x1SWV											x	x
BCSPILT											x	x
BCSPILT _n											x	x
Analogue Audio & AES Digital Audio Multiplexing Transmitters and Receivers in 1RU frame												
BB600T	BB600R						> 12				x	
BB610T	BB610R					> 6					x	
BB610T	BB610R					> 6					x	
Field Depoloyable Products												
BBOX QUAD3G		> 4										x
BC313T	BC313R	> 1										x
BC323T	BC323R	> 2										x
BC323TR		< 1 >										x
BC550AT/S	BC550AR/S	> 1					< 1					x
BC550DT/S	BC550DR/S	> 1						< 1				x
SHAX	SHAX _x (with power insertion)											x
SMPTE Hybrid Alternative Extension Kit - allows fibre enabled cameras to be connected to the CCU over standard networks.												
SMPTE Hybrid Optical Cable Extender												
Field Depoloyable Enclosures												
Optical 2U Flightcase	Optical 3U Flightcase											x
PROBE-BASE3	PROBE-BASE6											x
A ruggedised portable fibre optic system ideally suited to OB, ENG and SNG applications.												
Cables and Drums												
We also supply a wide range of fibre cables available in a variety of fibre counts, connector types and lengths.												

Acquisition Products

Bluebell manufactures a wide range of optical interfaces for the Outside Broadcast markets. Our products are used for the critical live delivery of video, audio and data services at premier world-class events. Applications range from robust multiple outside broadcast links to complex optical infrastructure systems. Some key products are highlighted below;

TDM-700

The TDM-700 provides a rugged and cost effective optical link between a remote "POV" (Point of View) Camera and CCU. The link provides an HD-SDI feed from the camera with a reverse feed for genlock or monitoring plus bi-directional data for full POV control. A 10/100 BaseT Ethernet link is provided to allow control of IP based devices while a GPI path can be used to drive a tally light. The camera end can be housed in a robust aluminium enclosure for field use.



BC323/BC550

The BC323 provides a compact and robust link for the conversion of two independent 3G-SDI signals into fibre optical cable. They are particularly suited to 3D productions and have been successfully deployed on many high profile events. The compact design allows the unit to be located close to the action or 3D camera rig.

The BC550 is perfect for adding cost effective fibre I/O to small remote robotic camera systems. The BC550 links provide transport of a 3G-SDI signal with a reverse audio or data channel being carried on a second fibre. Power from a variety of external DC sources is taken via a standard 4 pin XLR.

BLUE BOX

The Blue Box Quad 3G-SDI allows up to four 3G-SDI signals to be transmitted over a single standard SMPTE Hybrid or military tactical cable and enables interference free transmission over long distances. Applications are found in Outside Broadcast vehicles, special event companies and in pre-fibred venues, particularly with the advent of 3D and the move to a 3G-SDI infrastructure. The four channel configuration allows two separate 3D camera rigs to be transported over one cable. All contained within a robust and rugged aluminium enclosure suited to the demands of constant rigging/de-rigging.



SHAX

The SHAX System allows broadcast cameras fitted with Standard SMPTE 304M hybrid connectors to be deployed using ordinary singlemode fibre. This system allows the user to replace the hybrid cable between the camera and the CCU with standard cables. The SHAX system is perfect for Stadiums, Arenas and Concert Halls that have pre-installed fibre networks. The new SHAXx module allows power to be inserted to the cable.

SOCX

This stand alone device allows operators to extend the distances available on Standard SMPTE Hybrid Cable. Power is supplied via a standard mount camera battery system or 4 pin XLR.

19" RACK MOUNT MODULAR BROADCAST FIBRE OPTIC SOLUTIONS

The BC Series is a cost effective and flexible modular system designed to accommodate the growing number of broadcast signals that need to be transported over fibre optic cable. With nearly 100 cards in the range, all standard video, audio and data formats can be accommodated with alarm and monitoring via GPI or Ethernet/SNMP. Signals can be electrically multiplexed together as a single wavelength and up to 16 wavelengths can then be multiplexed onto a single fibre using CWDM. Optical splitters and switches also provide redundancy for mission critical situations.

Our equipment supports

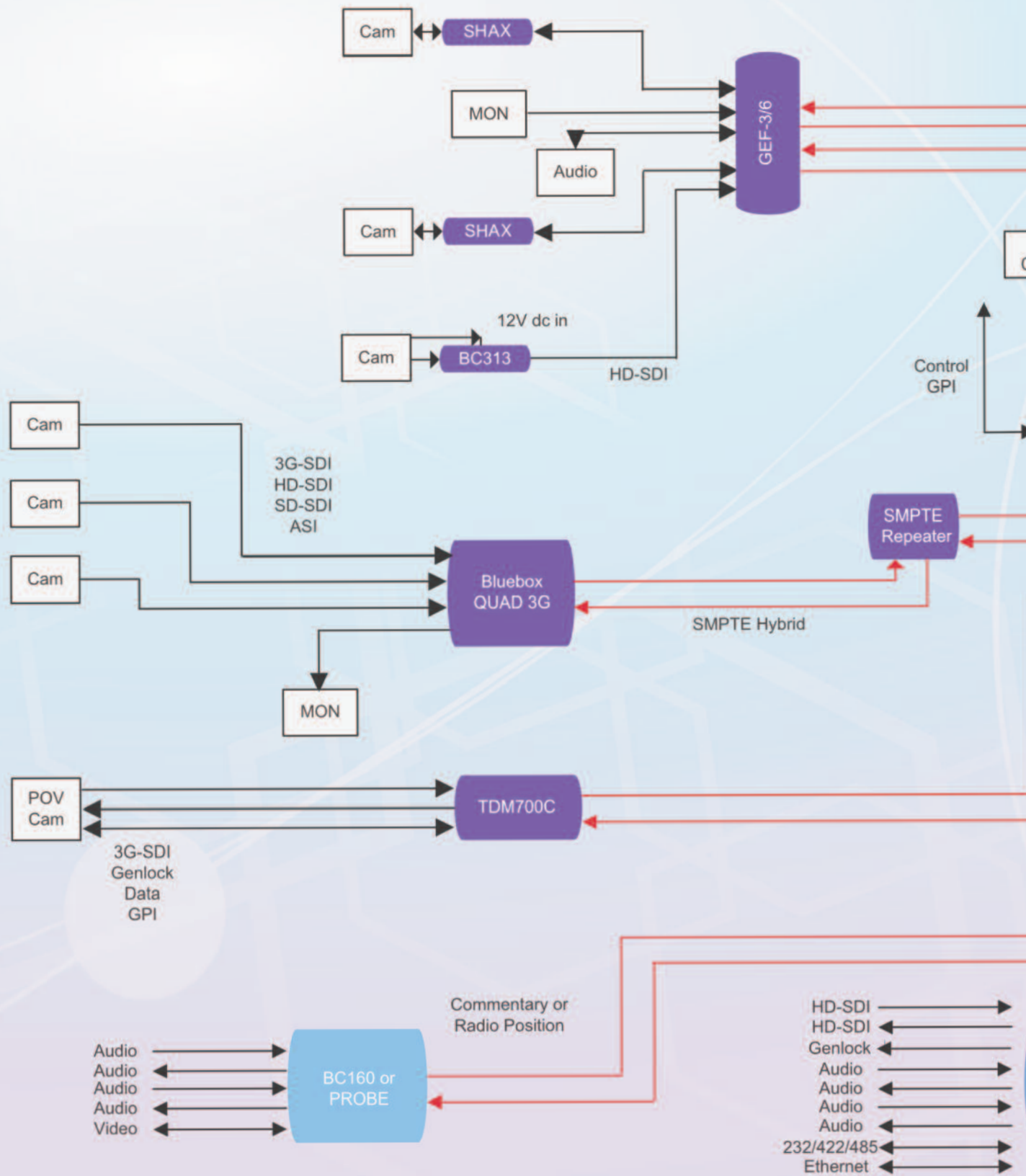
- 3G-SDI, HD-SDI, SD-SDI, DVB-ASI
- Broadcast Quality PAL/NTSC
- AES/EBU and analogue audio
- 10/100/1000 BaseT Ethernet
- Data and RF

WB170 MODULAR 1RU HIGH DENSITY MEDIA CONVERTER

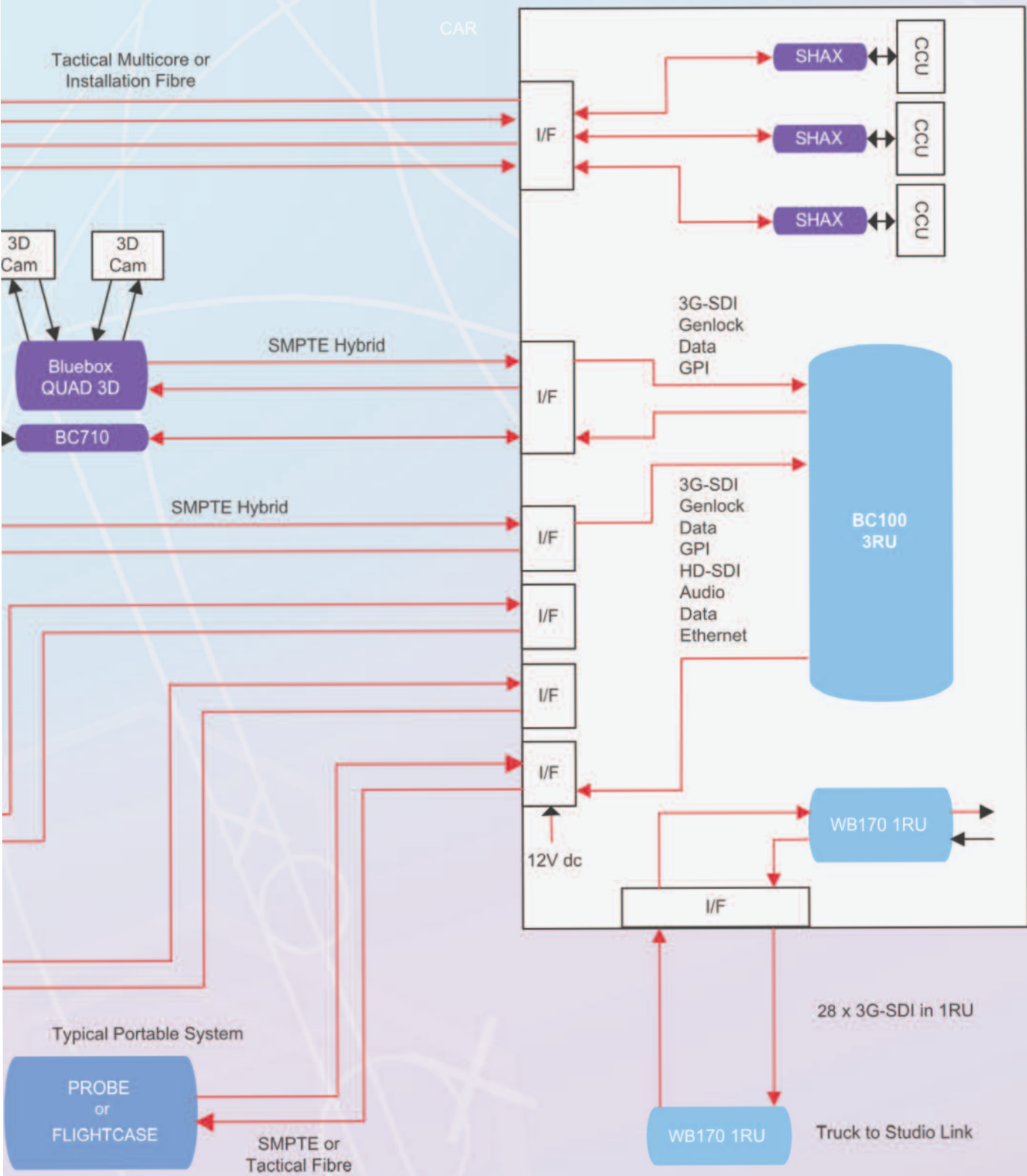
The WB170 is designed as an ultra compact 19" rack-mount media converter for the conversion of up to 28 independent 3G-SDI signals within 1RU. The WB170 fits applications where space is at a premium but no compromises on the broadcast performance can be accepted.

We offer the portable Probe system and flight case solutions for linking remote positions to an OB. We also provide a wide range of fibre cables available in a variety of fibre counts, connector types and lengths.

Typical Applications for Bluebell Fibre



Core Products in Outside Broadcast



Broadcast Specialists

Bluebell Opticom designs, manufactures and distributes high quality fibre optic transmission equipment for the broadcast, telecommunications and satellite industries.

Bluebell Opticom Ltd is a UK based, privately funded company, and has been designing and manufacturing fibre optic equipment since 1994.

We are specialists in "point to point" fibre technology for the broadcast television industries around the world. We pride ourselves on being a reliable and innovative supplier with an excellent quality to price ratio.

We have always maintained a flexible attitude and approach, often working with customers to provide an application specific solution on tight timescales.

We have thousands of links in daily operational use for key on-air applications and live events. Our customers include leading Broadcasters, Play-Out Centres and service providers, supported through a network of professional Distributors and Partners around the world.

Our products are also used for the critical delivery of video, audio and data services at most premier live world-class sporting events. The applications range from robust multiple outside broadcast links to complete and complex optical infrastructure systems.

All products are supplied with a 5 year factory warranty and are manufactured to ISO 9000 standards. All products are lead-free and RoHS/WEEE compliant.

Our equipment supports

- 3G-SDI, HD-SDI, SD-SDI, DVB-ASI
- Broadcast Quality PAL/NTSC
- AES/EBU and analogue audio
- 10/100/1000 BaseT Ethernet
- Data and RF



Local Contact

Bluebell Opticom Limited

Unit 2, The Quadrant, Howarth Road,
Maidenhead, Berkshire, SL6 1AP

Tel: +44 (0) 1628 510055

Email: sales@bluebell.tv

www.bluebell.tv

